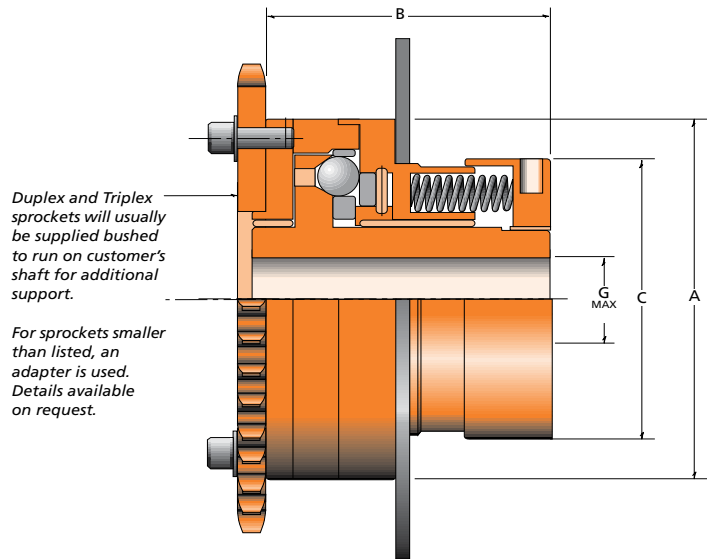


# Brunel Torque Limiting Clutches

## Type JCS

Type JCB combined with sprocket

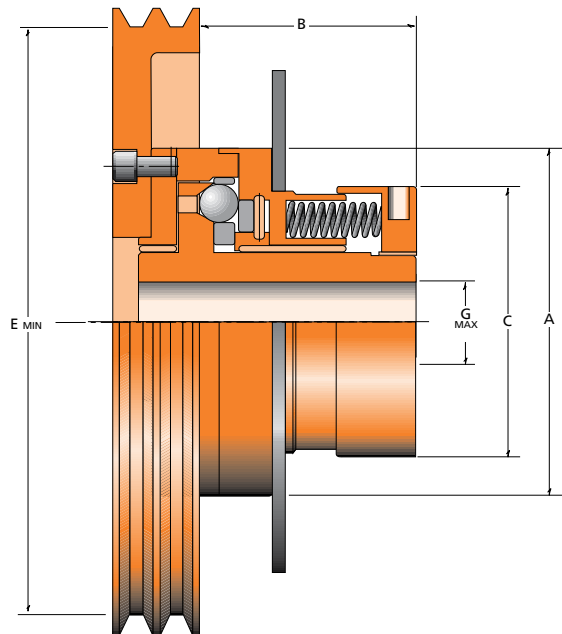


For sprockets smaller than listed, an adapter is used. Details available on request.

Min. Model	Release Torque		Dimensions in mm and inches				Smallest standard sprocket (number of teeth)				
	Max. Nm	Max. lb ft	A	B	C	G Max.	3/8" pitch	1/2" pitch	5/8" pitch	3/4" pitch	1" pitch
JCS1	14	48	76	59.5	60	16	30	22	19	17	14
	10	35	2.98	2.34	2.37	0.625					
JCS3	42	210	94	63	87	28	38	28	23	20	15
	30	150	3.70	2.48	3.44	1.125					

## Type JCP

Type JCB combined with pulley



Pulleys to suit the following belts can also be supplied:- standard 'V' section, flat, poly 'V', and timing or toothed.

For pulleys smaller than listed, an adapter is used. Details available on request.

Model	Release Torque		Dimensions in mm and inches				
	Min Nm	Max Nm	A	B	C	E Min	G Max
JCP1	14	48	76	To suit	60	102	16
	10	35	2.98		2.37	4.00	0.625
JCP3	42	210	94	To suit	87	124	28
	30	150	3.70		3.44	4.875	1.125