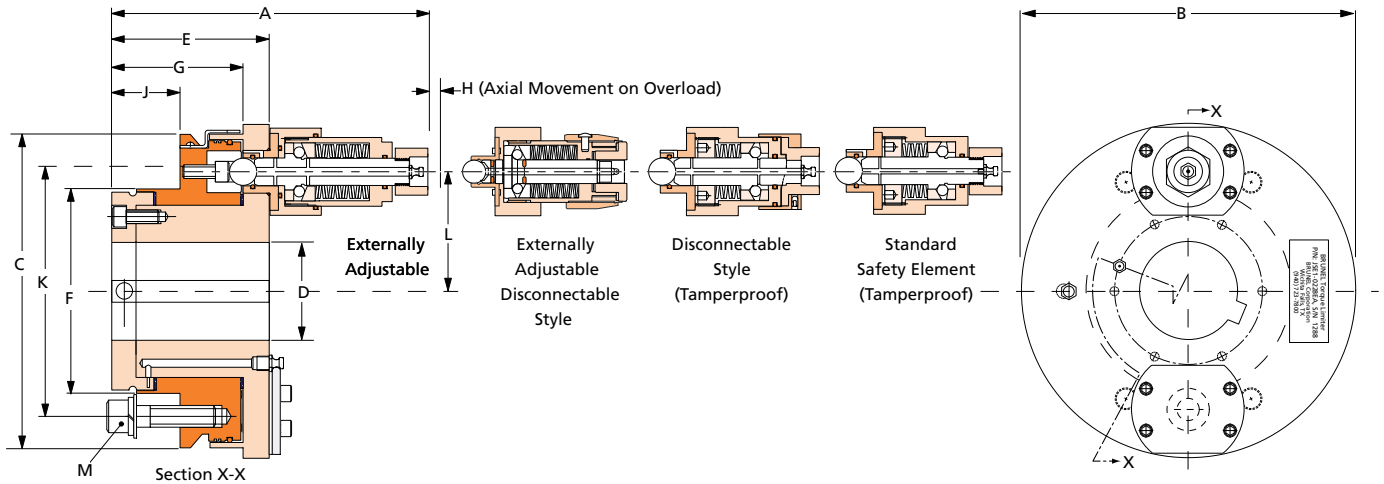
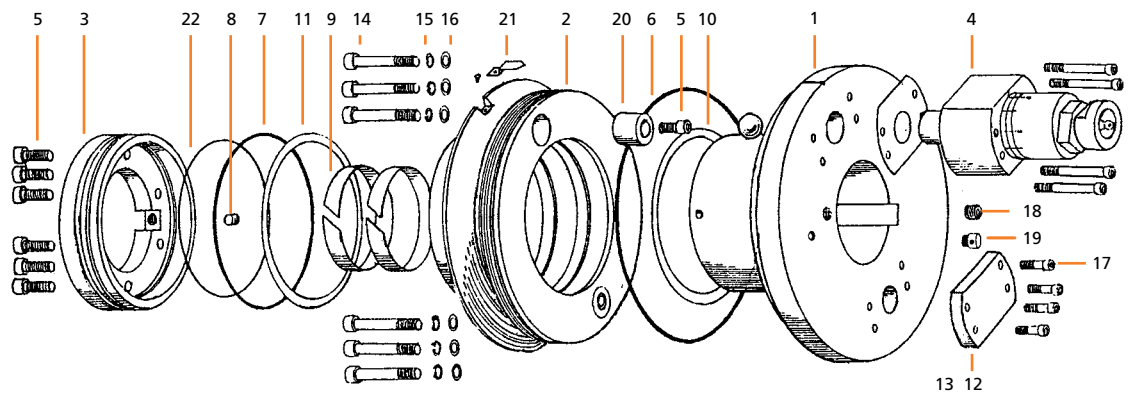


Brunel Safety Element Torque Limiters

Engineering Data



Brunel Part No. Series	Safety Element Qty.	Torque Range lb in	Safety Element Style	Dimensions in inches											Min H78 Sprocket		
				A	B	C	D max.	E	F	G	H	J	K	L		M	
JSE1-0100	1	388 - 7,540	Standard	6.52												Qty 6	9
	2	776 - 15,080	Disconnect	6.80	6.10	5.66	1.750	3.62	3.64	3.00	.162	1.58	4.50	1.925	3/8-16	Tooth	
			External Adj.	7.32							.211						
			Ext. Adj. Disc.	7.56							.250						
JSE1-0200	1	554 - 11,000	Standard	6.52											Qty 6	11	
	2	1,108 - 22,000	Disconnect	6.80	7.68	7.25	2.9375	3.62	4.724	3.00	.162	1.58	5.75	2.75	1/2-13	Tooth	
			External Adj.	7.32							.211						
			Ext. Adj. Disc.	7.56							.250						
JSE1-0400	1	3,400 - 15,000	Standard	8.10											Qty 8	11	
	2	6,800 - 30,000	Disconnect	8.40	9.75	7.25	3.75	5.10	6.00	3.00	.162	1.58	6.60	3.83	3/8-16	Tooth	
	3	10,200 - 45,000	External Adj.	8.90							.211						
	4	13,600 - 60,000	Ext. Adj. Disc.	7.56							.250						



Item	Description	Qty.	Item	Description	Qty.	Item	Description	Qty.
1	Module Carrier Hub	1	9	PTFE Bearing	1	17	1/4" -28 x 5/8" S.H.C.S.	4
2	Detent Pocket Plate	1	10	PTFE Bearing Ring	1	18	Grease Fitting	1
3	Retaining Plate	1	11	PTFE Thrust Pad	1	19	Grease Relief Valve (1/8 NPT)	1
4	JSE1-0015 External Adjust SE	1	12	Blanking Plate	1	20	Detent Pocket	1
5	5/16" -24 x 5/8" S.H.C.S.	8	13	Blanking Plate Seal	1	21	Pointer (Alignment)	1
6	"O" Ring Seal	1	14	Stainless Steel S.H.C.S.	6 or 8	22	"O" Ring Seal	1
7	"O" Ring Seal	1	15	Stainless Lock Washer	6 or 8			
8	5/16" -24 x 1/2" socket set screw	2	16	Stainless Flat Washer	6 or 8			

Consult factory for special application