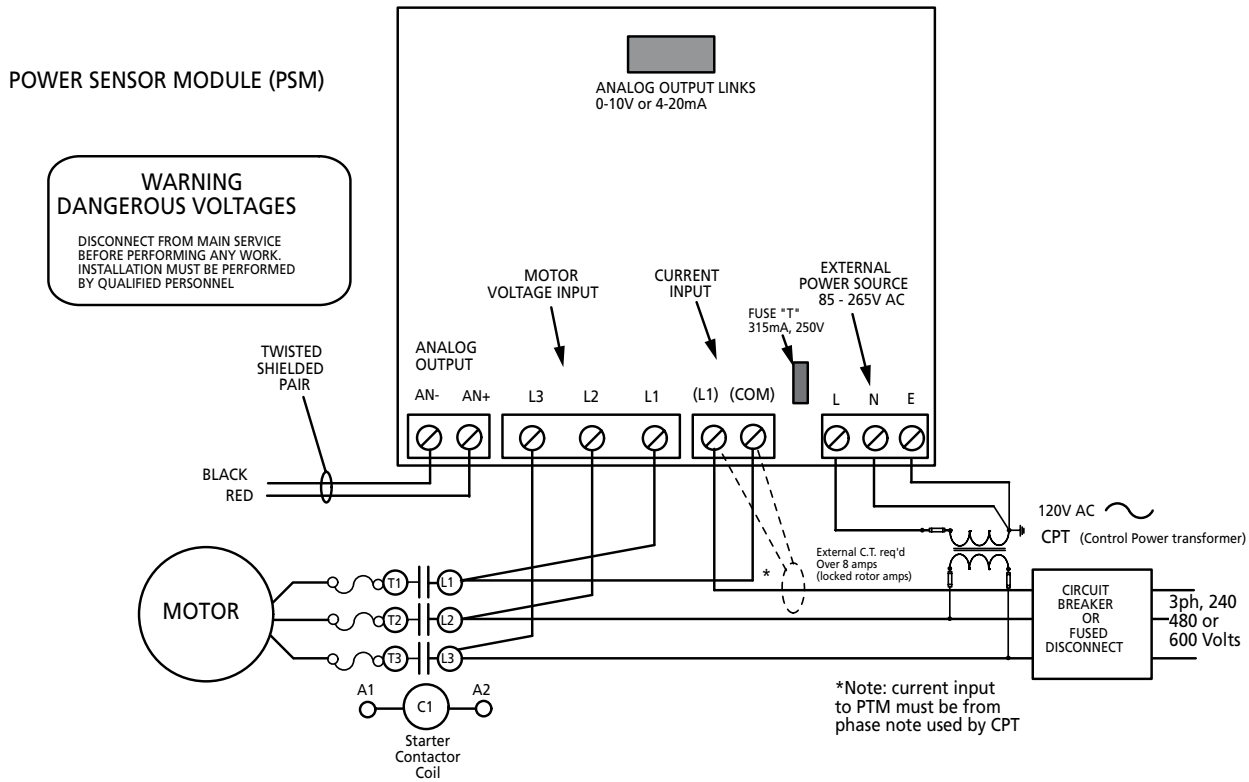
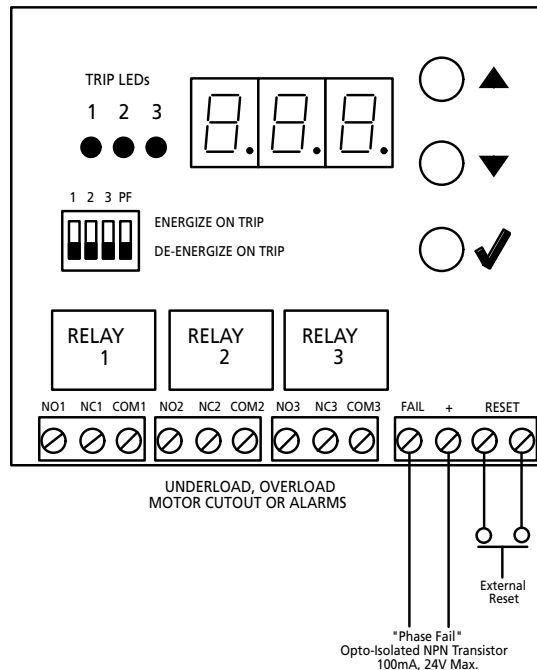


PTM-3 Programmable Load Monitor for any Electric Motor

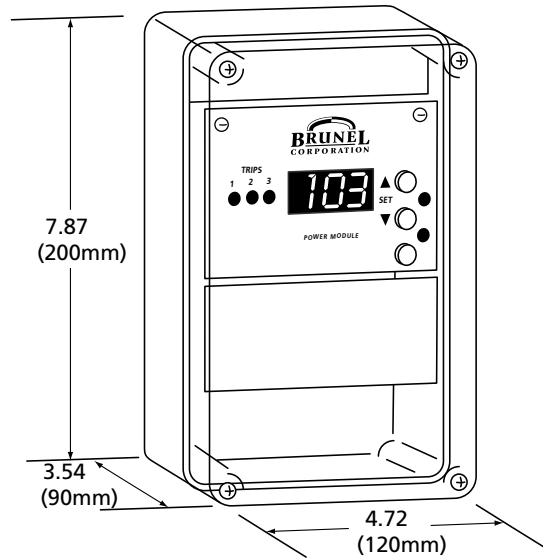
Typical Wiring Diagram
PTM-3 & PTM-3-4XL



POWER TRIP MODULE (PTM)



PTM-3 Specifications



Power Supply	85-264VAC 50-60Hz, 5W max.
Motor Voltage	Single and Three Phase: 600V max.
Internal Current Transformer	5Amps max. (L1)for >5A use a standard external 5A secondary current transformer
Frequency Range	VFD Compatible 20-100 Hz
Accuracy	Voltage $\pm 2\%$, Current $\pm 3\%$, Power $\pm 5\%$
Analog Output	0-10V or 4-20mA (max. load 450)
Reaction Time	23ms actuation time or 19ms release time
Display	3 LED digits, 14.2 mm high, red
Displayed Values	Load – calibrated to read 100 at normal running load Status messages – start, stop, phase failure Set-up values (i.e. trip levels). Motor power, current and voltage
Trip Relays	Three Form C Relays, contacts rated 10A @ 28VDC or 120VAC, 5A @ 240VAC (May be switched to energize or de-energize on trip)
Trip Delays	0-25s in 0.1s increments
Trip Hold	ON/OFF select, pushbutton reset, terminals for external reset contacts
Start Delay	0-250s (0-9.9s in 0.1s increments; > 10s in 1s increments)
Phase Loss Output	Opto-isolated NPN transistor, 100mA 24V max. (Changes state if phase failure, 10% voltage drop, or phase sequence changes)
Enclosure	NEMA 4X/IP66 Polycarbonate box with hinged clear cover. Enclosure can be drilled, sawed or punched on bottom, sides or back for wiring access. Options: DIN rail adapter 'G' or 35mm 'top hat', open frame L mounting bracket
Dimensions	200mm(H) x 120mm(W) x 90mm(D) Outside dimensions 7.87" 4.72" 3.54"
Environment	NEMA 4X / IP66, -4°F to +140°F (-20°C to +60°C)