

PTM-4 Load Monitor

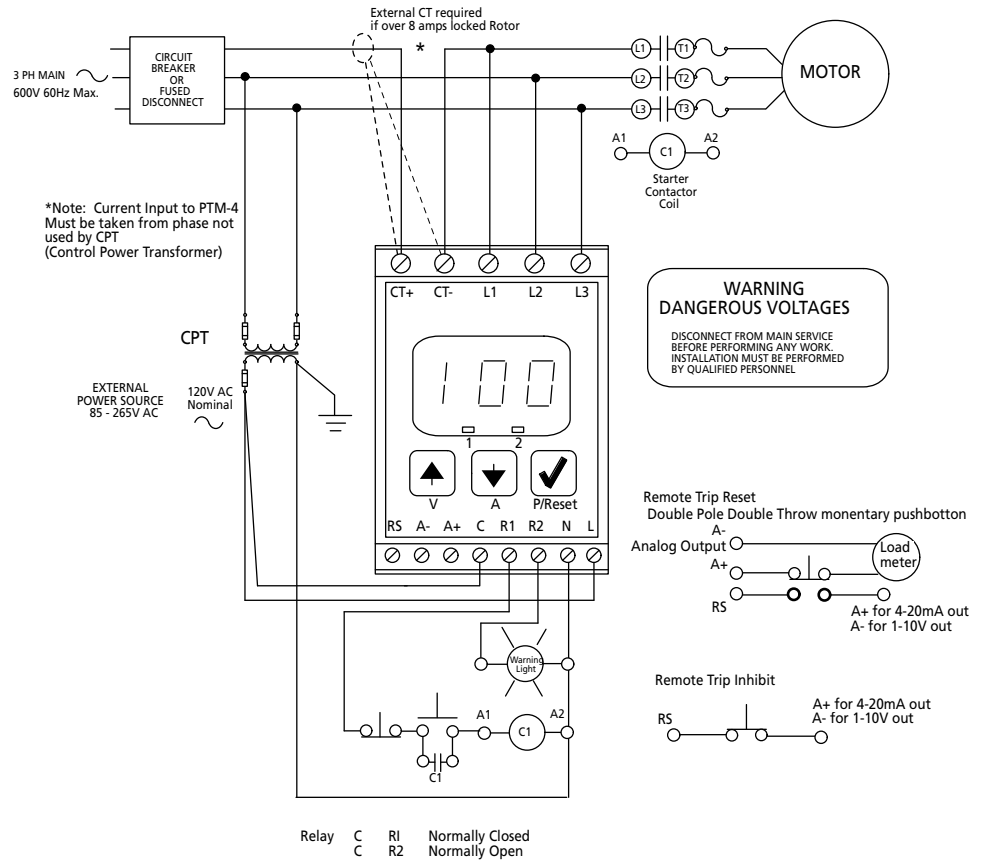


INDUSTRIAL CONTROL EQUIPMENT
UL US LISTED 8FA2

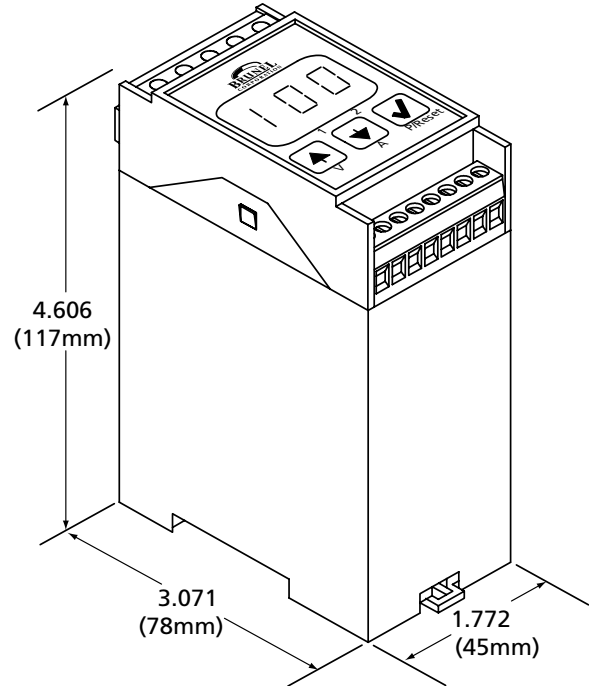
Features:

- **Most cost-effective motor load protection.**
- **Smallest unit available.**
- **Measures the motor active power.**
- **Internal Current Transformer. 1, 2, 4 & 8A motor current ranges.**
- **Single or three-phase motors.**
- **'Auto-Cal' feature sets load reading to 100% with the motor running at normal load, together with default trip levels and hysteresis.**
- **Simple set-up of trip levels: greater than 100% = overload, less than 100% = underload.**
- **Easy 'cloning' of units.**
- **Diagnostic displays for Volts, Amps & Power.**
- **Intuitive display with simplified adjustment of parameters.**
- **Remote reset of latched relays.**
- **Analog output option: (4-20mA or 0-10V).**
- **Infra-red remote programming (optional)**

TYPICAL WIRING DIAGRAM
PTM-4



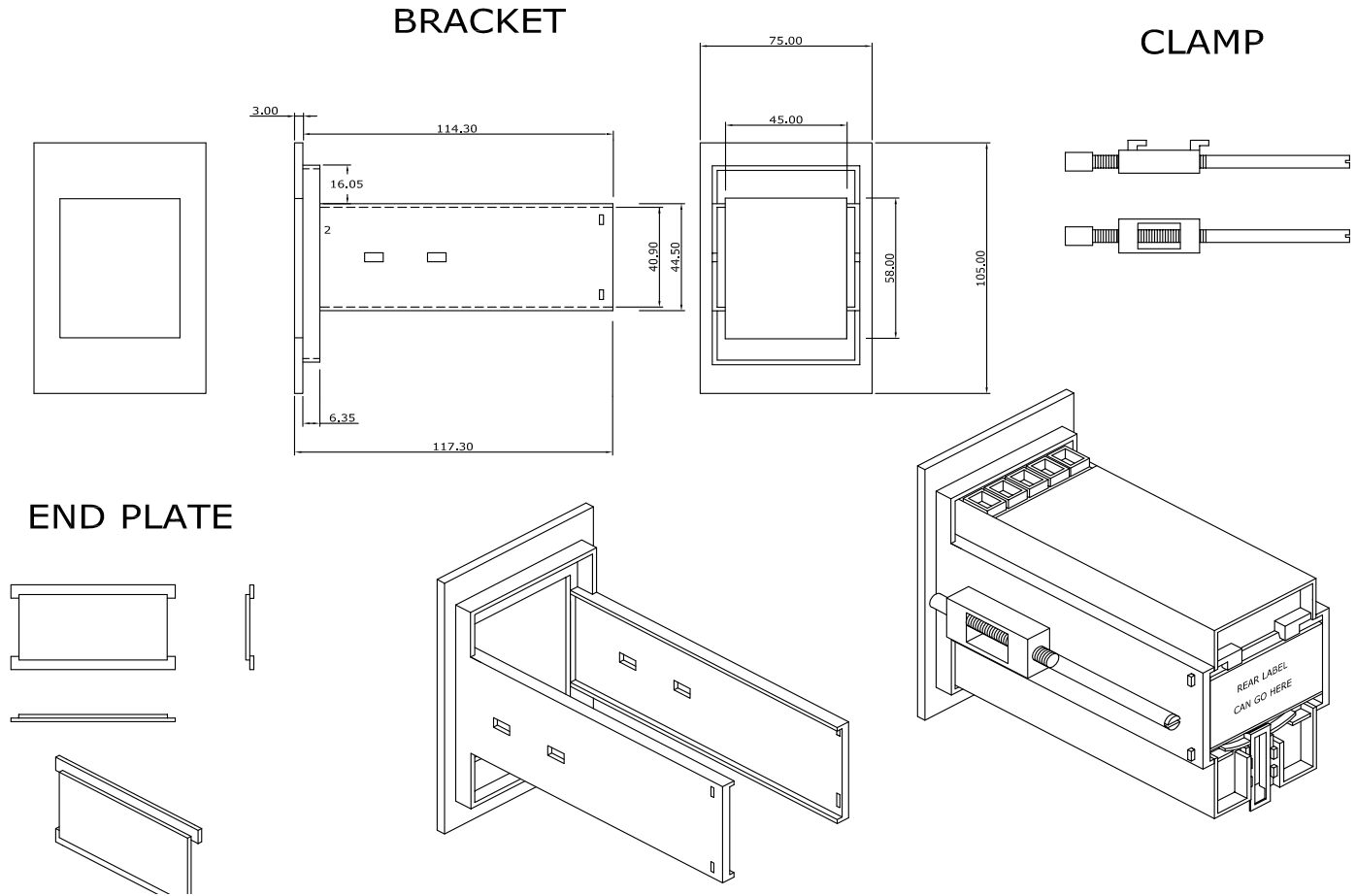
PTM-4 Load Monitor Specifications



Power Supply	85-264VAC 50-60Hz, 5VA max.
Motor Voltage	600VAC max.
Motor Current Ranges	Programmable: 1A, 2A, 4A, 8A. (or >8A use an external 5A secondary current transformer).
Frequency	45-65Hz
Display	Three 7 segment digits, 0.4in high, high intensity red.
Displayed Values	Running: Load: (calibrated to read 100). Stopped: Peak Load. Status messages: Start, Stop. Set-up: Trip Levels, Start & Trip delays, Hold ON/OFF Diagnostics: Peak Load, Volts (RMS), Amps (RMS), Watts or kW (auto-ranging),
Relays	2 contacts rated 10A @ 28VDC or 120VAC, 5A @ 240VAC. (Relay 1-NC, Relay 2-NO)
Trip Delays	0-25s in 0.1s increments.
Trip Hold (latch)	ON/OFF select, pushbutton Reset, terminals for external Reset contacts
Start Delay	0-250s (0-9.9s in 0.1s increments)
Analog Output Option	0-10V or 4-20mA, max. load 450 Ohms (jumper selectable).
Enclosure	1.772in (45mm) width x 3.071in (78mm) height x 4.606in (117mm) depth - Noral/Lexan - Gray (RAL 7035).
Wire sizes	Upper terminals: 2x2.5 ² mm (AWG 14) or 1x4 ² mm (AWG 12). Lower terminals: 1x2.5 ² mm (AWG 14).
Mounting	35/36mm DIN rail. Optional front panel adapter, or NEMA 4X enclosure.
Environment	Operating temperature: -4°F to + 122°F (-20°C to +50°C)

Brunel Power Modules

PTM-4 Mounting Bracket



Brunel Current Transformer

CT Model



Current Transformer

General Purpose Compact Units, UR/cUR Recognized

Dimensions (inches)	Part Number (without brackets)	Window Size (inches)	Current Rating (Amperes)	VA 60 Hz	VA 400 Hz	Accuracy (At Rated Current)	Rating Factor 30°C Ambient
	CT-50	1-1/8	50:5	1.0	2.0	=2%	1.0
	CT-60		60:5	1.0	2.0	=2%	1.0
	CT-75		75:5	1.5	3.0	=2%	1.0
	CT-80		80:5	1.5	3.0	=2%	1.0
	CT-100		100:5	2.0	4.0	=1%	1.0
	CT-120		120:5	2.5	5.0	=1%	1.0
	CT-125		125:5	2.5	5.0	=1%	1.0
	CT-150		150:5	2.5	5.0	=1%	1.0
	CT-200		200:5	2.5	5.0	=1%	1.0
	CT-250		250:5	2.5	5.0	=1%	1.0
	CT-300		300:5	2.5	5.0	=1%	1.0
	CT Model		A	B	C	D	E
	1.13	2.38	—	.94	—		