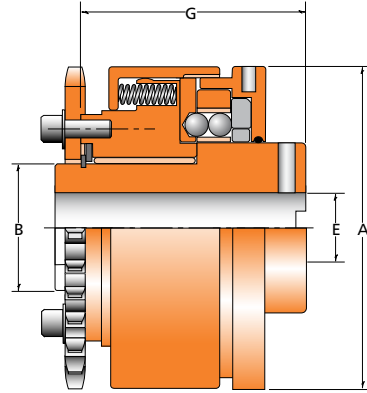


Brunel Torque Limiting Clutches

Type JBS

Type JBB combined with chainwheel



Ball bearing standard on Model JBS7. Ball bearing or bronze bush on Model JBS6 depending on application requirement.

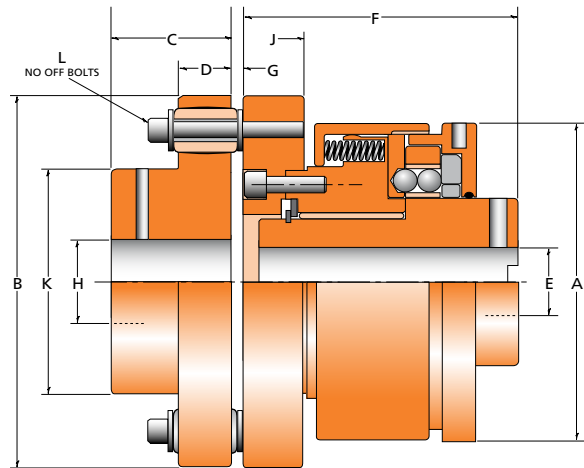
Duplex and Triplex sprockets will usually be supplied bushed to run on customer's shaft for additional support.

For sprockets smaller than listed, an adapter is used. Details on request.

Model	Release Torque		Dimensions in mm and inches					Smallest standard sprocket (number of teeth)				
	Min. Nm lb ft	Max. Nm lb ft	A	B	E Max	E Min	G	3/8" pitch	1/2" pitch	5/8" pitch	3/4" pitch	1" pitch
JBS6	68	745	145	67	44	19	85	40	31	26	22	18
	50	550	5.70	2.63	1.75	0.75	3.34					
JBS7	338	1356	205	80	57	32	130	51	40	32	28	22
	250	1000	8.07	3.14	2.25	1.25	5.11					

Type JBF

Type JBB combined with Brunel Eflex flexible coupling



Model	Release Torque		Dimensions in mm and inches													Weight Kg lb
	Min. Nm lb ft	Max. Nm lb ft	A	B	C	D	E Max	E Min	F	G	H Max	H Min	J	K	L	
JBF6	68	745	145	145	40	25	44	19	105	5	58	16	22	80	4	23
	50	550	5.70	5.70	1.57	0.98	1.75	0.75	4.13	0.19	2.28	0.63	0.87	3.15		51
JBF7	338	1356	205	195	65	30	57	32	155	5	90	32	25	120	6	40
	250	1000	8.07	7.67	2.56	1.18	2.25	1.25	6.10	0.19	3.54	1.26	1.0	4.72		88

Consult factory for special application