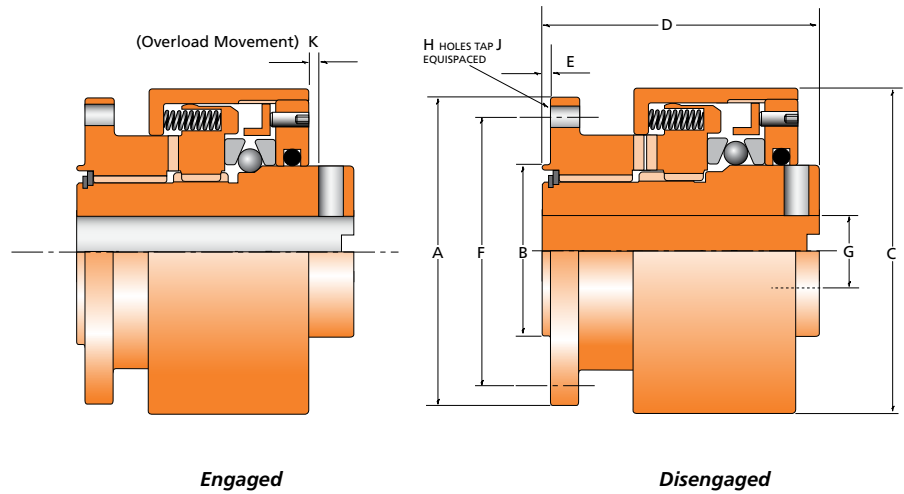


# Brunel Torque Limiting Clutches

## Type JAB - Manual Reset

Release Torque: 10 to 4000 lb ft, 14 to 5500Nm

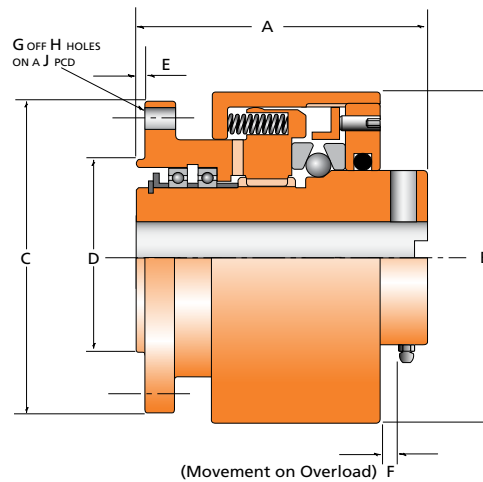


- ① Lower release torques can be achieved. Consult Brunel Corporation.
- ② Dimensions G and axial movement on overload also apply to Types JAR, JAF, JAS and JAP.
- ③ Tolerance on spigot diameter B is f7 to BS 4500:1969.
- ④ Applicable to all variants except JAP Type.

Model	Release Torque		④ Maximum Speed rpm	Dimensions in mm and inches											Weight kg lb	
	Min ① Nm lb ft	Max Nm lb ft		A	③ B	C	D	E	F	G max	② G min	H	J	K		
JAB2	14	140	1500	90	55	93.5	85	3	75	25.4	12.7	6	J	6.35	K	2.95
	10	100		3.54	2.163/2.164	3.68	3.35	0.118	2.95	1.00	0.50					
JAB5	70	700	1500	120	80	123.8	90	3	100	40	19.05	6	J	6.35	K	5.59
	50	500		4.72	3.147/3.138	4.875	3.54	0.118	3.94	1.57	0.75					
JAB7	475	1356	1500	180	110	177.8	150	3	150	57	31.75	6	J	6.35	K	17
	350	1000		7.09	4.328/4.329	7.00	5.91	0.118	5.91	2.24	1.25					
JAB8	610	2712	1500	235	150	228.6	150	3	195	77	38.1	6	J	6.35	K	30
	450	2000		9.25	5.902/5.904	9	5.91	0.118	7.68	3.03	1.50					
JAB9	815	5500	1000	305	200	305	205	3	270	102	50.8	6	J	8.13	K	84
	600	4000		12	7.870/7.872	12	8.07	0.118	10.63	4.00	2.00					

## Type JAB

Type JAB with ball bearing mounting



Model	Max Bore	④ Max Speed rpm	Dimensions in mm and inches								
			A	B	C	D	E	F	G	H	J
JAB2	25	4500	85	94	90	54.97/54.94	3	6.35	6	H	J
	1.00		3.35	3.70	3.54	2.163/2.164	.118	.25			
JAB5	40	3600	90	124	120	79.97/79.94	3	6.35	6	H	J
	1.57		3.54	4.88	4.72	3.147/3.148	.118	.25			
JAB7	57	2400	150	178	180	109.96/109.93	3	6.35	6	H	J
	2.25		5.90	7.00	7.09	4.328/4.339	.118	.25			
JAB8	79	1800	150	229	235	149.96/149.92	3	6.35	6	H	J
	3.03		5.90	9.02	9.25	5.902/5.904	.118	.25			

Consult factory for special application