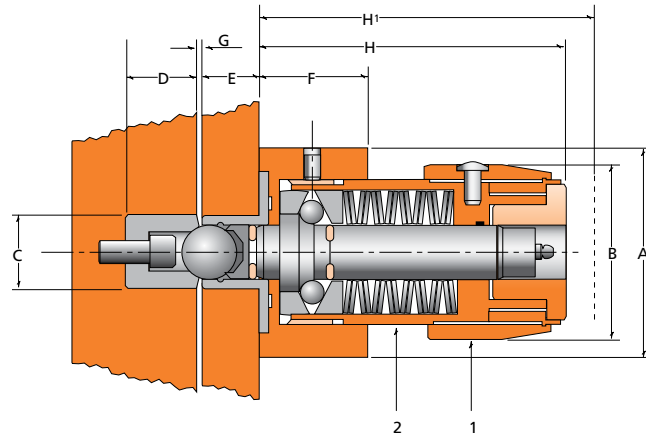


## Externally Adjusted Disconnect Modules

### Adjustment

Adjustment of the tangential force ( $F_u$ ), can be made by removing the security cover 1 from the mounting flange and adjusting the housing 2, so altering the spring force.

This procedure discourages tampering by unauthorized personnel.



Brunel P/N	Tangential lb	Force $F_u$ N	Dimensions in mm and inches								
			A	B	C	D	E	F	G	H	H <sub>1</sub>
JSE.5-0018	2,250	10,000	56 2.20	50 1.97	19.5 0.77	15 0.59	14 0.55	20 0.79	1.5 0.60	77.5 3.05	81 3.19
JSE1-0018	4,000	17,000	66 2.60	50 1.97	25 0.98	20 0.79	16 0.63	37 1.46	2.5 0.10	100 3.94	104 4.09
JSE2-0018	6,100	27,000	106 4.17	79 3.11	35 1.38	35 1.38	45 1.77	10 0.40	2.5 0.10	149 5.87	156 6.14

*Note: Internal design features may vary between sizes*

## Externally Adjusted Disconnect Modules

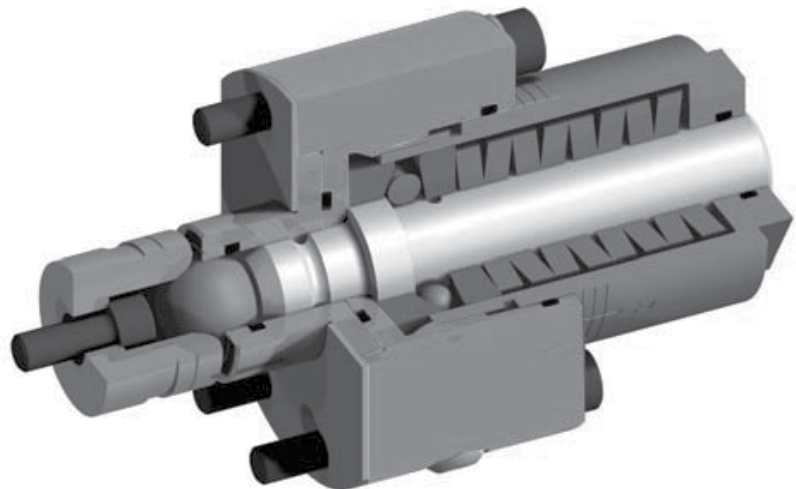
### Features and Benefits

Very accurate release torque repeatability with minimal variation between static and dynamic release. Versatile installation allows for the torque limiter center section to be removed without the need to move the motor or gearbox.

Individual modules are preset to provide the required release torque. Any maintenance of the modules is a straightforward operation. A simple removal operation allows for module recalibration without having to replace the complete unit. By holding spare modules in stock already preset to the required release torque keeps downtime to an absolute minimum.

Manual reset of the torque limiter can only be carried out when the drive is at rest. Resetting is achieved by realigning the two halves of the unit and then lightly tapping each module fitted, with a soft mallet.

Lubrication of the unit is via easy access grease nipples. Proximity sensor targets are included to provide the means to switch off the drive after an overload occurs. While each torque limiter assembly is normally factory preset, if required site adjustments can be carried out, a setting chart with instructions is provided for this purpose.



P/N: JSE1-0025

Please note a security key is required and adjustment should only be carried out by an authorized person.

- Accurate release torque repeatability
- Simple fast manual re-engagement
- Low-cost maintenance
- The preferred protection for many extruder manufacturers