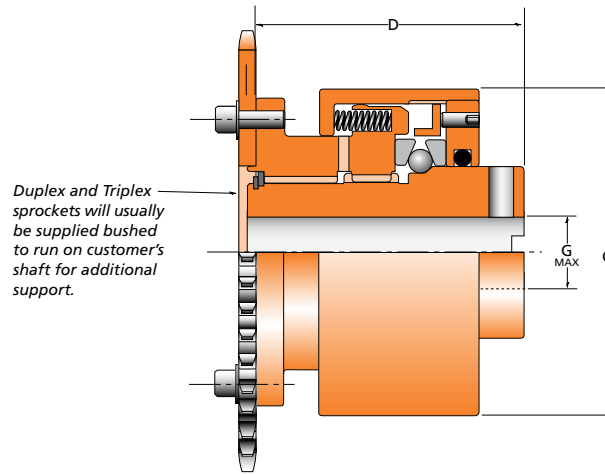


Brunel Torque Limiting Clutches

Type JAS

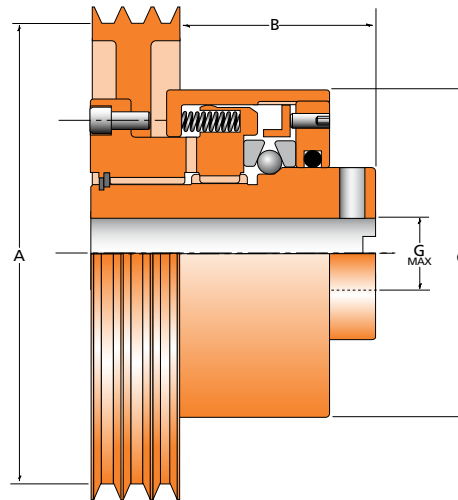
Type JAB combined with chainwheel



Model	Release Torque		Dimensions in mm and inches			Smallest standard sprocket (number of teeth)				
	Min Nm lb ft	Max Nm lb ft	C	D	G	3/8" pitch	1/2" pitch	5/8" pitch	3/4" pitch	1" pitch
JAS2	14	140	93.5	82	25.4	35	26	22	19	15
	10	100	3.68	3.23	1.00					
JAS5	70	700	123.8	87	40	45	33	27	24	19
	50	500	4.875	3.85	1.57					
JAS7	475	1356	177.8	147	57	48	39	34	26	26
	350	1000	7.00	5.79	2.24					
JAS8	610	2712	228.6	147	77	51	43	33	33	33
	450	2000	9.00	5.79	3.03					
JAS9	815	5500	305	202	102	54	42	42	42	42
	600	4000	12	7.95	4.00					

Type JAP

Type JAB combined with pulley



Model	Release Torque		Max Speed	Dimensions in mm and inches			
	Min Nm lb ft	Max Nm lb ft		A Min	B	C	G
JAP2	14	140		115		93.5	25.4
	10	100		4.53		3.68	1.00
JAP5	70	700	Dependant upon Pulley Diameter	155	Dimension to suit Customers Requirements	123.8	40
	50	500		6.10		4.875	1.57
JAP7	475	1356		210		177.8	57
	350	1000		8.27		7.00	2.24
JAP8	610	2712		270		228.6	77
	450	2000		10.63		9.00	3.03

Consult factory for special application