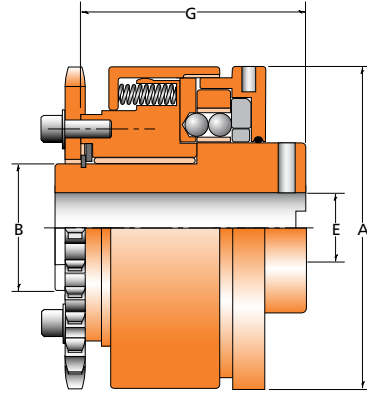


# Brunel Torque Limiting Clutches

## Type JBS

Type JBB combined with chainwheel



**Ball bearing standard on Model JBS7. Ball bearing or bronze bush on Model JBS6 depending on application requirement.**

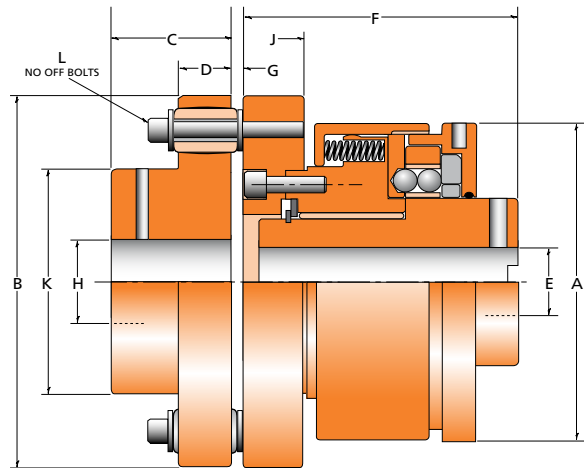
**Duplex and Triplex sprockets will usually be supplied bushed to run on customer's shaft for additional support.**

**For sprockets smaller than listed, an adapter is used. Details on request.**

Model	Release Torque		Dimensions in mm and inches					Smallest standard sprocket (number of teeth)				
	Min. Nm lb ft	Max. Nm lb ft	A	B	E Max	E Min	G	3/8" pitch	1/2" pitch	5/8" pitch	3/4" pitch	1" pitch
JBS6	68	745	145	67	44	19	85	40	31	26	22	18
	<b>50</b>	<b>550</b>	<b>5.70</b>	<b>2.63</b>	<b>1.75</b>	<b>0.75</b>	<b>3.34</b>					
JBS7	338	1356	205	80	57	32	130	51	40	32	28	22
	<b>250</b>	<b>1000</b>	<b>8.07</b>	<b>3.14</b>	<b>2.25</b>	<b>1.25</b>	<b>5.11</b>					

## Type JBF

Type JBB combined with Brunel Eflex flexible coupling



Model	Release Torque		Dimensions in mm and inches													Weight Kg lb
	Min. Nm lb ft	Max. Nm lb ft	A	B	C	D	E Max	E Min	F	G	H Max	H Min	J	K	L	
JBF6	68	745	145	145	40	25	44	19	105	5	58	16	22	80	4	23
	<b>50</b>	<b>550</b>	<b>5.70</b>	<b>5.70</b>	<b>1.57</b>	<b>0.98</b>	<b>1.75</b>	<b>0.75</b>	<b>4.13</b>	<b>0.19</b>	<b>2.28</b>	<b>0.63</b>	<b>0.87</b>	<b>3.15</b>		<b>51</b>
JBF7	338	1356	205	195	65	30	57	32	155	5	90	32	25	120	6	40
	<b>250</b>	<b>1000</b>	<b>8.07</b>	<b>7.67</b>	<b>2.56</b>	<b>1.18</b>	<b>2.25</b>	<b>1.25</b>	<b>6.10</b>	<b>0.19</b>	<b>3.54</b>	<b>1.26</b>	<b>1.0</b>	<b>4.72</b>		<b>88</b>

Consult factory for special application