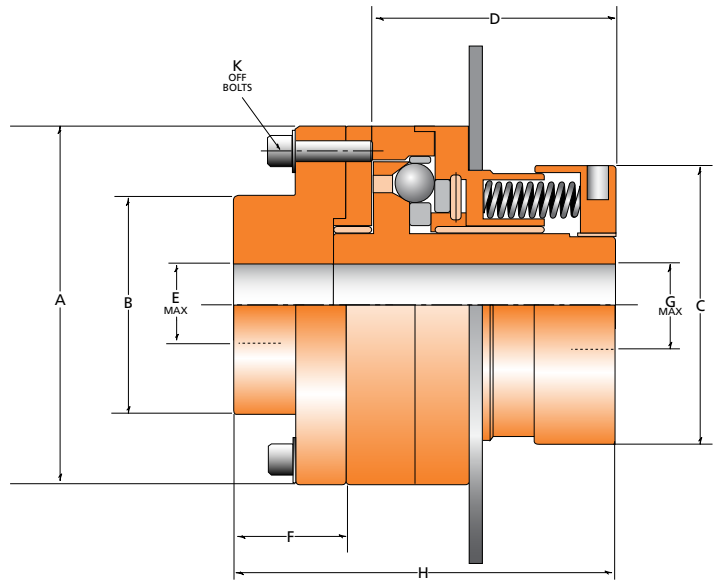


Brunel Torque Limiting Clutches

Type JCR

Type JCB combined with rigid coupling

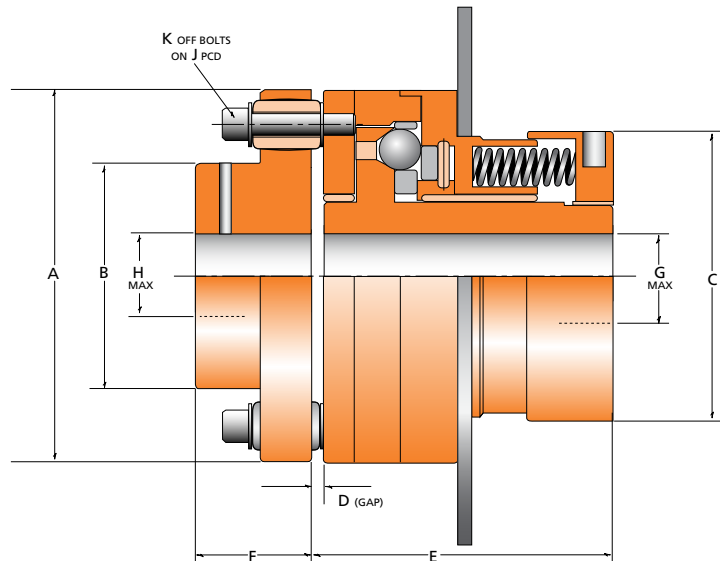


This arrangement will not accommodate any misalignment.

Model	Release Torque		Dimensions in mm and inches									Weight kg lb
	Min Nm lb ft	Max Nm lb ft	A	B	C	D	E Max	F	G Max	H	K	
JCR1	14	48	76	55	60	62	35	38	16	98	3	2
	10	35	2.99	2.17	2.37	2.44	1.38	1.50	0.63	3.85		4.5
JCR3	42	210	94	71	87	66	44	51	28	114	6	4.3
	30	150	3.70	2.80	3.44	2.60	1.73	2.00	1.10	4.48		9.5

Type JCF

Type JCB combined with Brunel Eflex flexible coupling



Model	Release Torque		Dimensions in mm and inches										Weight kg lb
	Min Nm lb ft	Max Nm lb ft	A	B	C	D	E	F	G Max	H Max	J	K	
JCF1	14	48	76	35	60	2	62	29	16	20	72	2	2.52
	10	35	2.99	1.38	2.36	0.08	2.44	1.14	0.63	0.79	2.83		5.54
JCF3	42	210	94	48	87	3	66	40	28	28	90	4	5.18
	30	150	3.70	1.89	3.43	0.12	2.60	1.57	1.10	1.10	3.54		11.39

Consult factory for special application